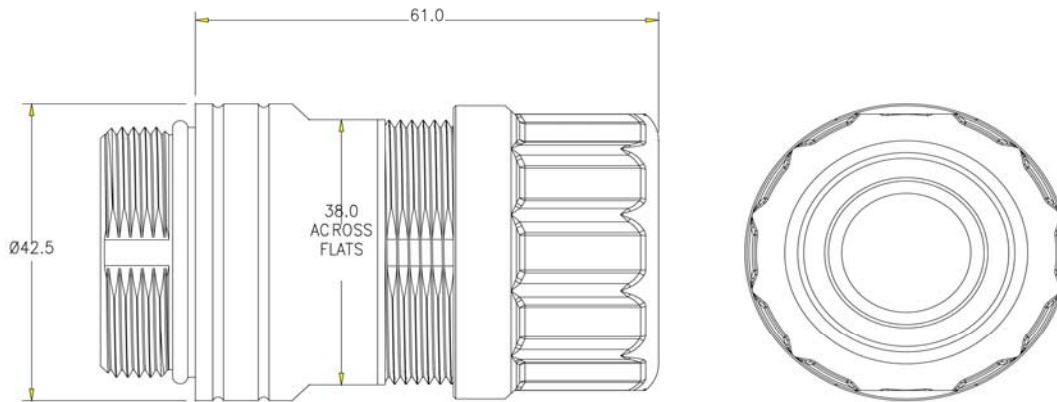


CONFIGURATION	PART NUMBER	LENGTH
C grip core, Crimp cable, Diameter 21.5-24mm	MC3CG-S6	TBD

## DIMENSIONS



CABLE RANGE  
21.5mm – 24mm

## TECHNICAL DATA

<b>TEMPERATURE RANGE:</b>	-20C to +130C
<b>PROTECTION:</b>	IP 67 (Plugged Condition)
<b>DEGREE OF PROTECTION:</b>	3
<b>OVER VOLTAGE CATEGORY:</b>	III
<b>HOUSING BODY:</b>	ZINC DIE-CAST
<b>COUPLING NUT:</b>	BRASS, NICKEL-PLATED
<b>INSULATION INSERTS:</b>	PA66 / PBT, UL 94 / VO
<b>CONTACTS:</b>	BRASS, GOLD-PLATED
<b>SEALS:</b>	DUPONT VITON

